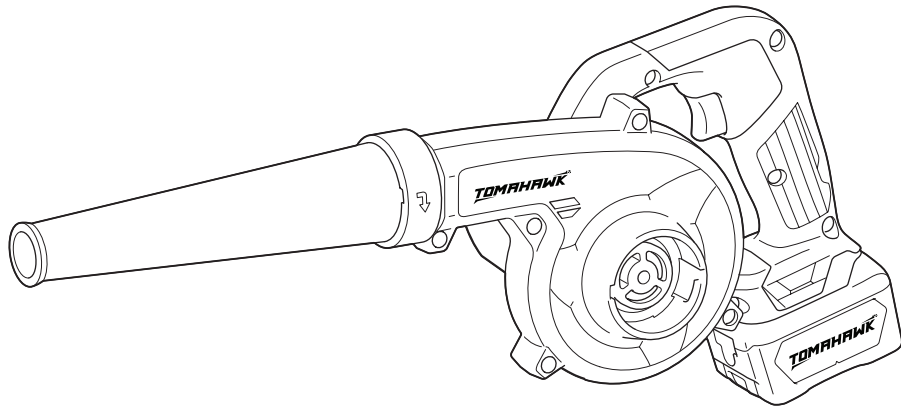




INSTRUCTION MANUAL



CORDLESS BLOWER CB 40

20 V
BATTERY VOLTAGE

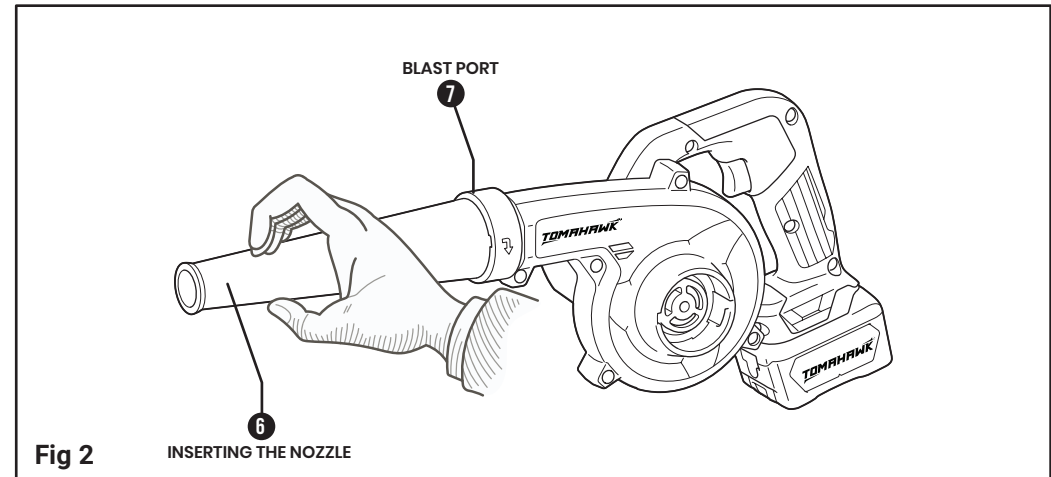
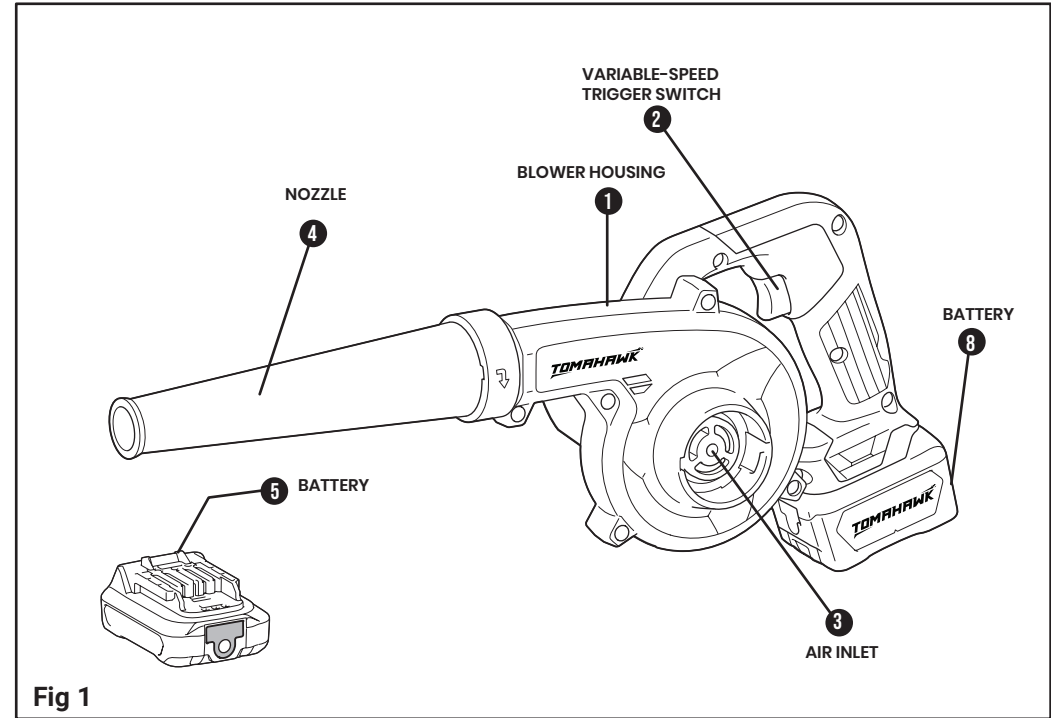
3.0 AH
BATTERY CAPACITY

125 CFM
MAX AIR VOLUME

200 KM/H
AIRFLOW SPEED

15000 RPM
NO LOAD SPEED

2.8 KG
WEIGHT



CORDLESS BLOWER CB40



INSERTING NOZZLE

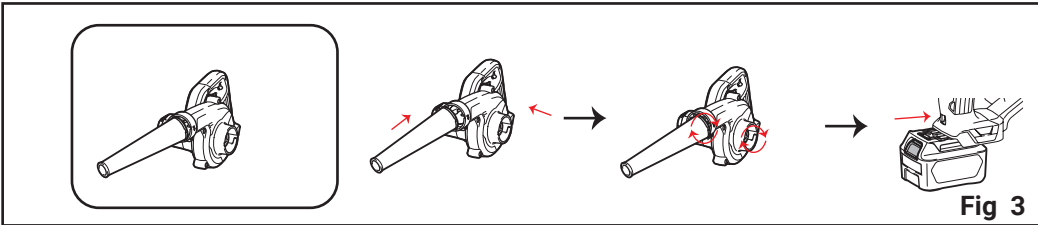


Fig 3

USE BLOWER AS VACCUM

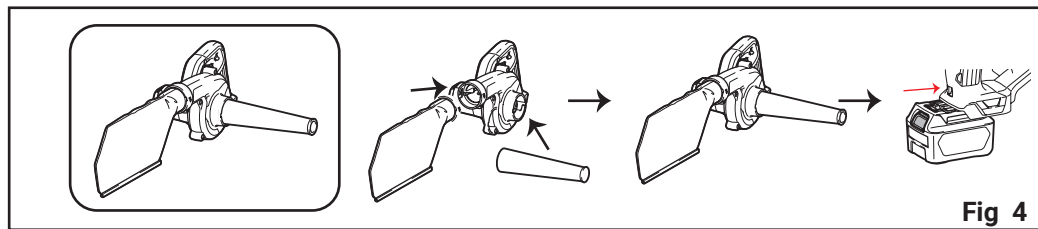


Fig 4

INCREASE SPEED

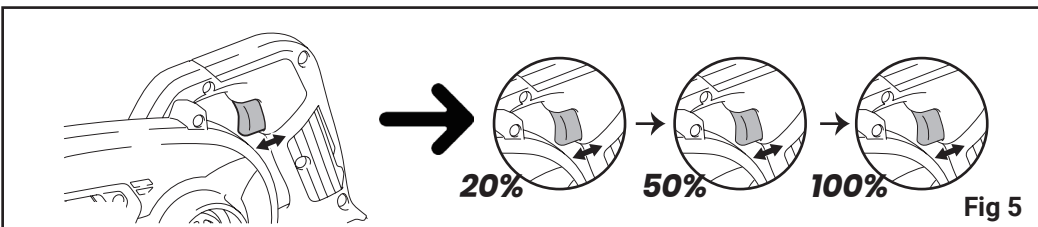


Fig 5

CHARGING BATTERIES

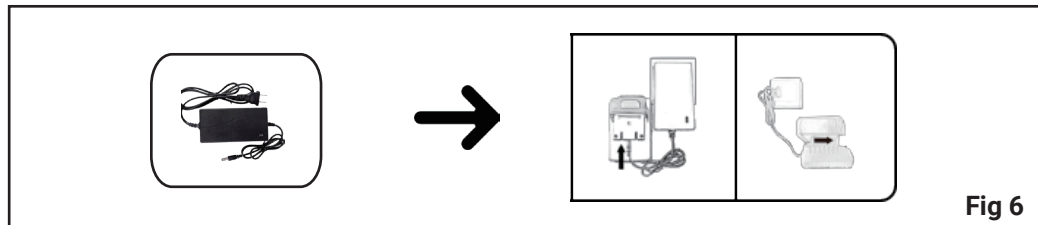


Fig 6

1. TECHNICAL DATA

SPECIFICATION	VALUE
Battery voltage	20 V
Battery Capacity	3 Ah
Weight	2.8 kg
Max Air Voulame	125 CFM
Airflow speed	200 km/h
No Load speed	15000 RPM
Usage time	20 - 60 Minutes

2. INTENDED USES & APPLICATIONS :

Blowing & cleaning dust at home, office, cars .etc. Cleaning mesh door, computers, keyboards, copy machines, printers, air conditioners, automobiles and other electronic devices

3. INSTRUCTIONS FOR USE

3.1. MOUNTING THE NOZZLE FOR BLOWING OPERATIONS (REFER TO FIGURE 1 & 2)

Insert the pin located inside the (4) Nozzle into the notch provided on the Blast Part (1)

- To lock Nozzle in place, turn the Nozzle (4) clockwise.
- To remove Nozzle, (4) turn the Nozzle (4) anticlockwise.

3.2. OPERATING THE BLOWER

- To switch your Blower on, depress the Switch (2). To stop your Blower, release Switch.

3.3. BATTERY PACK USE

1. The product is compatible with specific battery packs with 20V
2. When the battery pack is fully charged, please unplug the power.
3. The battery pack is with temperature protection, low voltage protection, and over-current protection.
4. For testing purposes, the battery pack is partially charged ex-factory. It does not necessarily mean that you have received a used product. It is advised to give the battery pack a full charge before your first-time use.
5. In case when you find the battery pack is over-heating and has noticeable sparks, smoke, or a burning smell coming out, please immediately stop use and/or disconnect the power and contact customer service.
6. Always store the battery pack, together with the machine and charger in an environment that is not wet, damp, or too high/low temperature.

3.4. CHARGER USE

1. Please only use the charger included in the pack for charging the battery pack. In case you want to use a third-party charger please contact Customer Service for verification before use.
2. When plugging the charger into an electric socket, the indicator light will turn on the green. When you plug the DC connector into the battery pack for charging, the indicator light on the charger will turn red and will turn green when the battery pack is fully charged.

4. PERSONAL SAFETY

1. Stay alert, watch what you are doing and use common sense when operating a power tool.
2. Use safety equipment. Always wear eye protection. Safety equipment such as dust mask, non-skid safety shoes, hard hat, or hearing protection used for appropriate conditions will reduce personal injuries.
3. Avoid accidental starting. Ensure the switch is in the off position before plugging in.
4. Dress properly. Do not wear loose clothing or jewelry. Keep your hair, clothing and gloves away from moving parts.

ADDITIONAL SAFETY INSTRUCTIONS FOR BLOWERS

- Do not collect still-smoldering cigarette ashes, freshly cut metals shaving, screws, nails, and the like.
- Never block the suction inlet and outlet. (6)

5. SERVICE

Have your power tool serviced by a qualified Repair person using only identical replacement parts. This will ensure that the safety of the power tool is maintained.

The performance of your tool depends on the accessory used. Tomahawk accessories are engineered to high-quality standards and designed to enhance the performance of your tool. By using these accessories you will get the very best from your tool.

Warning! Before performing any maintenance, switch off and unplug the tool.

- **Regularly clean the ventilation slots in your tool using a soft brush or dry cloth.**

6. MAINTANICE POWER TOOLS

Maintaining your cordless blower is important to ensure that it operates effectively and lasts a long time. Here are some maintenance details to keep in mind:

Clean the blower after each use: Remove any debris or dirt from the blower using a soft brush or cloth. This helps prevent dirt and debris buildup in the blower's internal components.

Inspect the air filter: The air filter prevents dust and debris from getting into the motor. Check the air filter regularly and clean or replace it if it's dirty or damaged.

Check the battery: Inspect the battery for signs of damage or wear. Make sure the battery is fully charged before each use.

Lubricate moving parts: Apply lubricating oil to the moving parts of the blower to reduce friction and ensure smooth operation

Store the blower properly: When not in use, store the blower in a cool, dry place. Keep the battery separate from the blower and store it in a cool, dry place as well.

Have it serviced: If you notice any problems with your blower, such as a loss of power or strange noises, take it to a professional for servicing.

By following these maintenance details, you can keep your cordless blower in good working condition and prolong its lifespan.

For any service related queries contact us on hello@tomahawk.tools or whats app use on 8928949415

