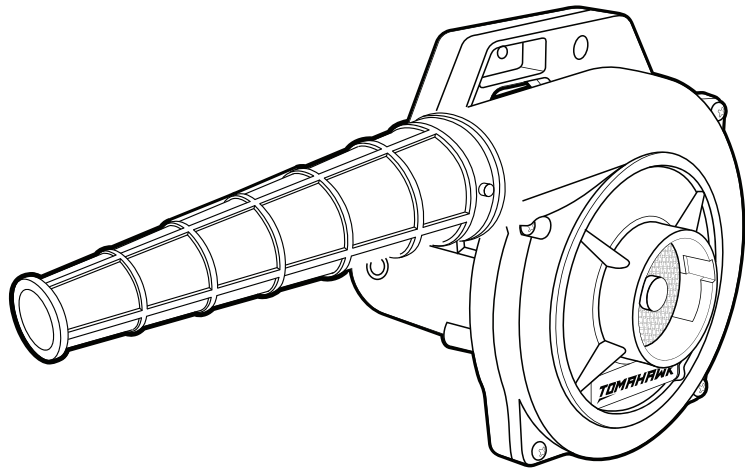




INSTRUCTION MANUAL



600 W
POWER

16500 RPM
NO LOAD SPEED

400 MM²
CAPACITY

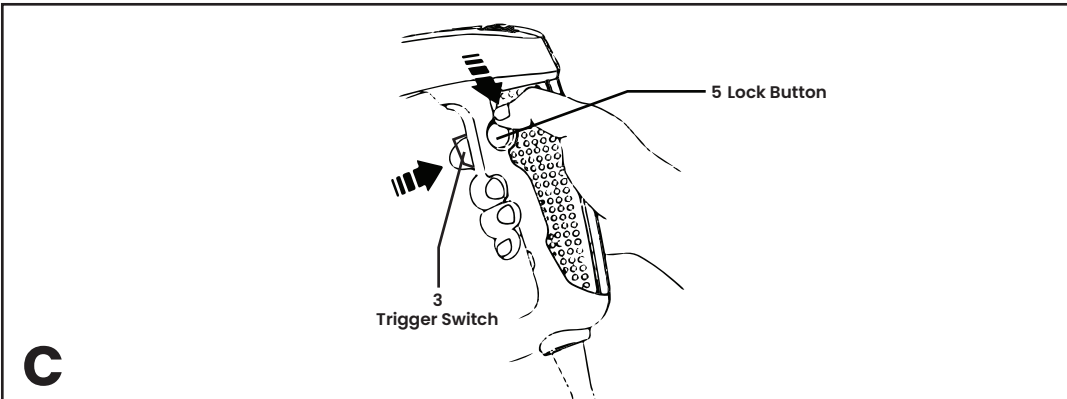
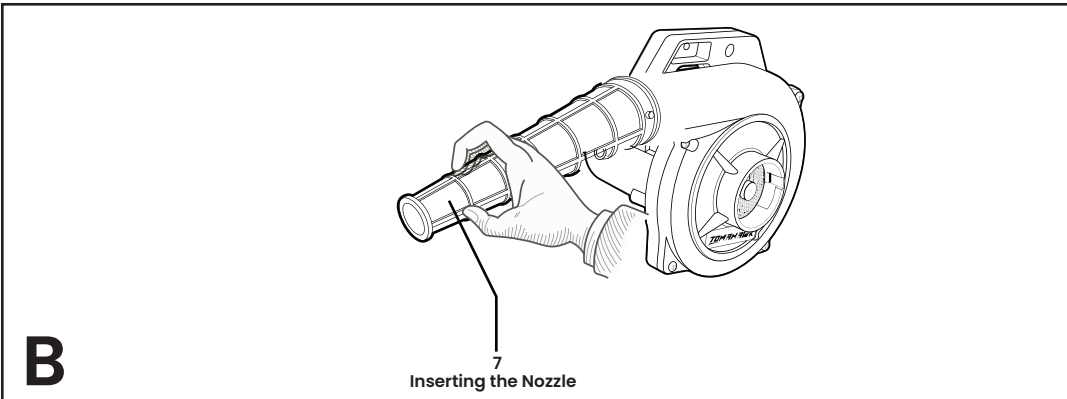
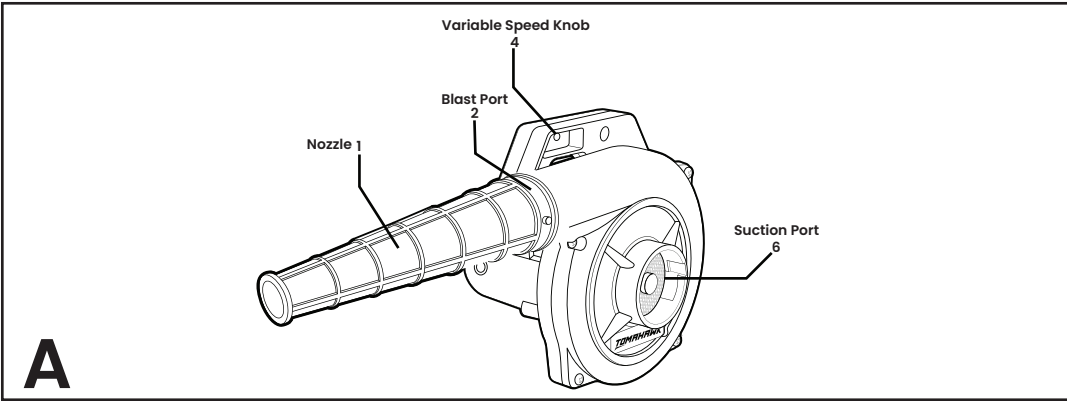
1.8 M
CABLE LENGTH

50 HZ
REIATED FREQUENCY

1.8 KG
WEIGHT

ELECTRIC BLOWER T80

ELECTRIC BLOWER T80



Technical Data

SPECIFICATION	VALUE
Rated Input Power	600W
No Load Speed	16500 rpm
Capacity	400 mm ²
Cord Length	1.8 m
Weight	1.8kg
Rated Voltage	230 V
Frequency	50 Hz

Intended uses & applications :

Blowing & cleaning dust at home, office, cars .etc. Cleaning mesh door, computers, keyboards, copy machines, printers, air conditioners, automobiles and other electronic devices

Instructions for Use

1. Mounting The Nozzle For Blowing Operations (Refer to figure B)

- Insert the pin located inside the Nozzle into the notch provided on the Blast Port.
- To lock Nozzle in place, turn the Nozzle clockwise.
- To remove Nozzle, turn the Nozzle anticlockwise.

2. Operating The Blower

- To switch your Blower on, depress the Switch (3). To stop your Blower, release Switch.
- When continuous operation is required, first depress the switch and then the lock-on button (5) and to disengage lock squeeze switch (3) again.

3. Personal safety

Stay alert, watch what you are doing and use common sense when operating a power tool.

Use safety equipment. Always wear eye protection. Safety equipment such as dust mask, non-skid safety shoes, hard hat, or hearing protection used for appropriate conditions will reduce personal injuries.

Avoid accidental starting. Ensure the switch is in the off position before plugging in.

Dress properly. Do not wear loose clothing or jewelry. Keep your hair, clothing and gloves away from moving parts.

Additional Safety Instructions for Blowers

Do not collect still-smoldering cigarette ashes, freshly cut metals shaving, screws, nails, and the like.

Never block the suction inlet and outlet. (6)

Electrical safety

This tool is double insulated; therefore no earth wire is required. Always check that the power supply corresponds to the voltage on the rating plate.

Warning! Remove and check the carbon brushes regularly. Replace them when they wear down to the limit mark.

4. Service

Have your power tool serviced by a qualified Repair person using only identical replacement parts. This will ensure that the safety of the power tool is maintained.

Accessories

The performance of your tool depends on the accessory used. Tomahawk accessories are engineered to high-quality standards and designed to enhance the performance of your tool. By using these accessories you will get the very best from your tool.

Warning! Before performing any maintenance, switch off and unplug the tool.

- Regularly clean the ventilation slots in your tool using a soft brush or dry cloth.

Exploded parts diagram.

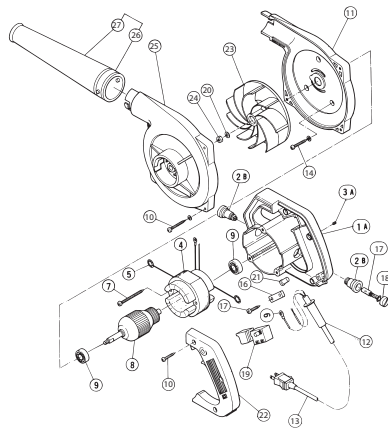


Table with number and name of spares

No.	Part Name	No.	Part Name
1A.	Housing	16.	Cable Cleat
2B.	Brush Holder	17.	8 x 13 Screw
3A.	8 x 19 Screw	18.	Holder Cap
4.	Stator Assy	19.	Switch
5.	Held Spring Screw	20.	Hex Washer
6.	Thimble	21.	Connector
7.	10 x 38	22.	Switch Cover
8.	Armature	23.	Impeller
9.	Ball Bearing (6082RS)	24.	6mm Nylock Nut
10.	8 x 19 Screw	25.	Outside Cover
11.	Inside Cover	26.	Nozzle Ring
12.	Cord Armor	27.	Nozzle
13.	Cord		
14.	10 x 25 Screw		
15.	Carbon Brush		

5. Maintain Power Tools

Check for misalignment or binding of moving parts, breakage of parts, and any other condition that may affect the power tools operation. If damaged, have the power tool repaired before use.

Use the power tool, accessories, tool bits, etc., under these instructions and in the manner intended for the particular type of power tool, taking into account the working conditions and the work to be performed.

WARRANTY COVERAGE

Tomahawk's warranty obligations for this product are limited to the terms set below.

- If a defect arises and a valid claim is received within the warranty period, Tomahawk power tools will at its discretion REPAIR or REPLACE free of cost any functional part with manufacturing defects with new or refurbished replacement parts.
- Functional parts for Warranty purpose are as follows: Armature, Field coil and Gear.
- The machine will not be taken back or replaced under any circumstances.

EXCLUSIONS AND LIMITATIONS

The warranty does not cover damages caused by:
 Accident, abuse, negligence, misuse, or improper use.
 Fire, floods, or natural calamities.
 Unauthorized repairs.
 Unauthorized modifications.
 Wrong voltage / wild voltage fluctuations.
 Entry of water, slurry, dust etc. into the machine.

Carbon brush, Bearing, Switch, wire, Plug, Drill chuck, Body casing etc. are not covered by the Warranty.

- This limited warranty applies only to the power tool. This limited warranty does not apply to any other product even if packaged or sold with a Tomahawk product.
- Tomahawk is not liable for any direct, special, incidental, or consequential damages
- which arise due to using this power tool or arising due to the non-ability to use this
- power tool.
- Due to the continuous changes in the power tool industry Tomahawk power tools
- introduces new models every year. Warranty will be valid for a period of six months. and other basic spare parts (to be decided Tomahawk power tools) will be available for a period of six months if the machine is purchased within one year from
- the manufacturing dates.
- This warranty set forth above is exclusive and in lieu of all other warranties and condition whether oral or written, Express or implied. No Tomahawk reseller, agent or Employee is authorized to make any modification, extension, or addition to this warranty on the company's behalf. Any such additional warranties offered will be the sole responsibility of the reseller, agent, or Employee.
- Tomahawk's liability is limited to replace or repair the functional spare part.

If you wish to register a warranty claim, contact us via mail : hello@tomahawk.tools or via WhatsApp : +918928949415